

Part Number: 00012-M0746-01 DIO
00015-M0746-01 LIO

Base Kit Contents

Item #	Quantity Req'd.	Description
1	1	Main IP
2	1	Drivers Front Door
3	1	Drivers Rear Door
4	1	Passenger Front Door
5	1	Passenger Rear Door

Conflicts

--

Recommended Tools

Safety Tools	
Special Tools	
Non Intrusive IR Temperature Probe/Gun	
Installation Tools	
Heat Source	
Lint-Free Scratch Resistant Cloth	3M Disposable Cloth (Recommended)
Mist Bottle (Water)	(Recommended)
Special Chemicals	
Cleaner	Soap & Water
Bottled Distilled Water	

Color Applicability/Trim Level

Accessory Color																			
	Vehicle/Trim Color																		

General Applicability






FJ Cruiser with OE black or color keyed door panels.
--

Service Parts

Item #	Qty	Description
PTS10-35070-IP	1	MAIN IP
PT10-35070-DF	1	DRIVERS FRONT DOOR (Black Panel)
PTS10-35070-DR	1	DRIVERS REAR DOOR (BP)
PTS10-35070-PF	1	PASS FRONT DOOR (BP)
PTS10-35070-PR	1	PASS REAR DOOR (BP)
PTS10-35071-DF	1	DRIVER FRONT DOOR (Color Keyed Panel)
PTS10-35071-DR	1	DRIVER REAR DOOR (CP)
PTS10-35071-PF	1	PASS FRONT DOOR (CP)
PTS10-35071-PR	1	PASS REAR DOOR (CP)

*Mandatory

Legend

	STOP: Damage to the vehicle may occur. Do not proceed until process has been complied with.
	OPERATOR SAFETY: Use caution to avoid risk of injury.
	CAUTION: A process that must be carefully observed in order to reduce the risk of damage to the accessory/vehicle and to ensure a quality installation.
	TOOLS & EQUIPMENT: Used in Figures calls out the specific tools and equipment recommended for this process.
	REVISION MARK: This mark highlights a change in installation with respect to previous issue.

1. Installation Precautions

➔ (a) Thoroughly clean all installation surfaces. When cleaning with soap and water solution:

STOP (1) Always use a clean 3M lint free cloth.

(2) Shake solution well.

STOP (3) Apply clean water to cloth or wipe. Do not spray cleaning solutions directly to any vehicle surfaces. (Fig. 1-1)

➔ (4) Clean surface thoroughly and wipe dry immediately with a new clean cloth. Do not allow cleaner to air dry. (Fig. 1-2)

➔ (b) Dash Appliqué must be between 70°F and 110°F (just prior to actual installation.)

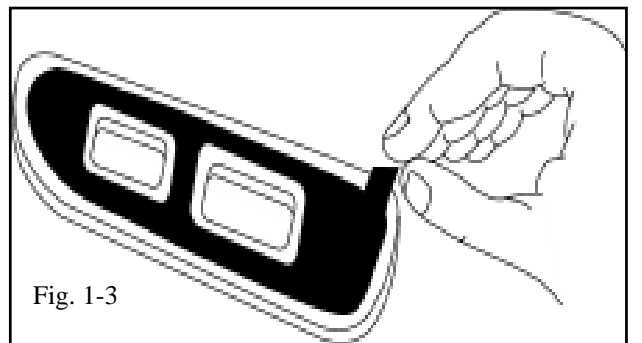
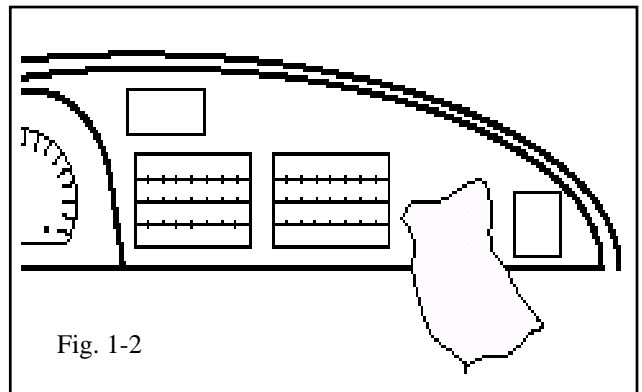
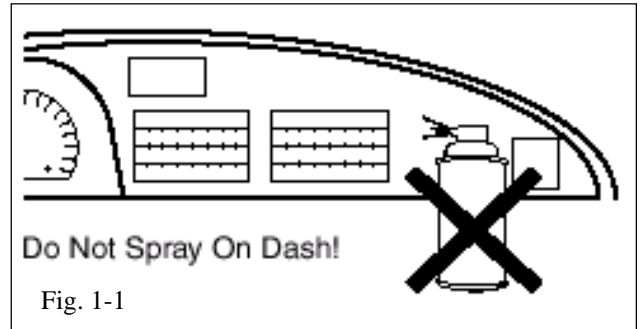
➔ (c) Vehicle dash surfaces must be between 70°F and 110°F (just prior to actual installation.)

(d) Use pull-tabs to remove 3M liners. (Fig. 1-3)

➔ (1) Do not touch or allow debris or contaminants to come into contact with the adhesive backing before installation.

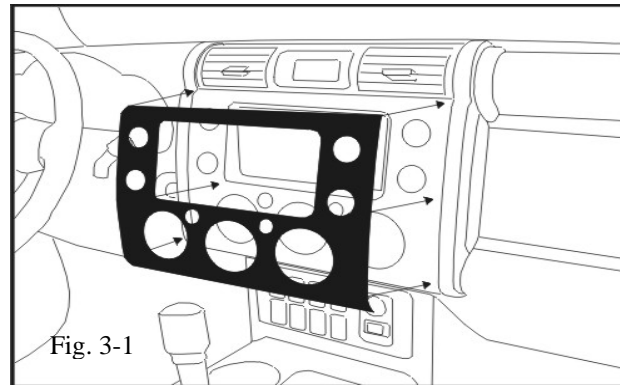
2. Inspection of Parts

(a) Inspect parts prior to installation



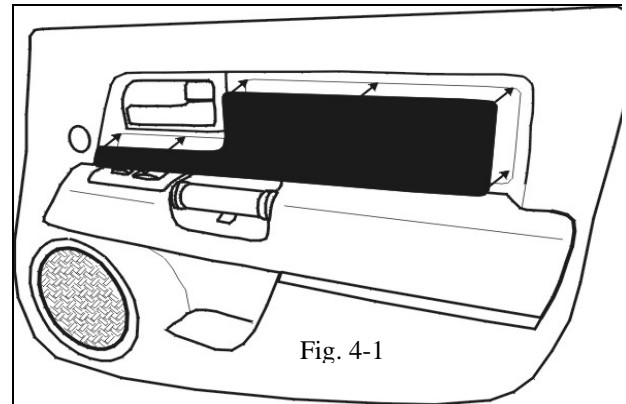
3. Main I/P (Radio Surround) Panel

- ➔ (a) Warm up vehicle surfaces (as required).
- (1) Use heat gun, infrared lamps, shop heat or vehicle heating system to heat surfaces to a temperature of at least 70°F. Keep heat gun at lowest setting, 6" from surfaces.
- (b) Remove adhesive liners from part. Be sure not to touch adhesive backing prior to installation.
- ⚠ (c) Lightly mist the adhesive on the back of the part with water (1 – 2 squirts max). This allows slight corrective movement after initial placement if necessary.
- (d) Position and secure part.
- ⚠ (1) First slide the applique around the radio opening for proper alignment, do not adhere part on this step. (Fig. 3-1)
 - ⚠ (2) Align the top edge against the factory core part below the vents, press firmly to adhere top edge.
 - ⚠ (3) Work downwards from the top edge, adhering the rest of the part until you reach the bottom. NOTE: The edges of this part will fit into the groove between the factory core and the side edges.
- ⚠ (e) Verify function of all buttons.
- (f) Press firmly into place. Use fingertips and the palm of your hand to set adhesive.
- ⚠ (g) Edge of appliqué should be flush to edge of factory component, +/- 1.0mm.



4. Install Driver & Passenger Front Doors

- ➔ (a) Follow steps to warm components as required
- (b) Remove adhesive liners from part. Be sure not to touch adhesive backing prior to installation.
- ⚠ (c) Lightly mist the adhesive on the back of the part with water (1 – 2 squirts max). This allows slight corrective movement after initial placement if necessary.
- (d) Position and secure part.
- ⚠ (1) Align part uniformly around the groove of the factory door component. Do not insert into the groove between the factory door component and the door panel. (Fig. 4-1)
- (2) Gently touch part into position.
- ⚠ (e) Verify even coverage, the groove between the factory door component and the door panel should not be showing.
- ➔ (f) Press firmly into place. Roll fingertips in a back and forth motion to set adhesive. Be sure to roll thumb along outside and inside edges while applying pressure.
- ⚠ (g) Edge of appliqué should be flush to edge of factory component, +/- 1.0mm.



5. Driver & Passenger Rear Doors

- ➔ (a) Follow steps to warm components as required.
- (b) Remove adhesive liners from appliqué.

- ⚠ (c) Lightly mist the adhesive on the back of the part with water (1 – 2 squirts max). This allows slight corrective movement after initial placement if necessary.

➡ (d) Position and secure appliqué.

- ⚠ (1) Align part uniformly around the groove of the factory door component. Do not insert into the groove between the factory door component and the door panel. (Fig. 5-1)

- ⚠ (2) During placement, ensure that the center of the part (area w/ out tape) is flat against the surface of the factory component for proper placement. NOTE: Do Not make adhesive contact until properly aligned (extra thick adhesive may crack the part when removed).

- ⚠ (3) Gently touch part into position, starting on the upper portion of the door, working over to the lower part of the door.

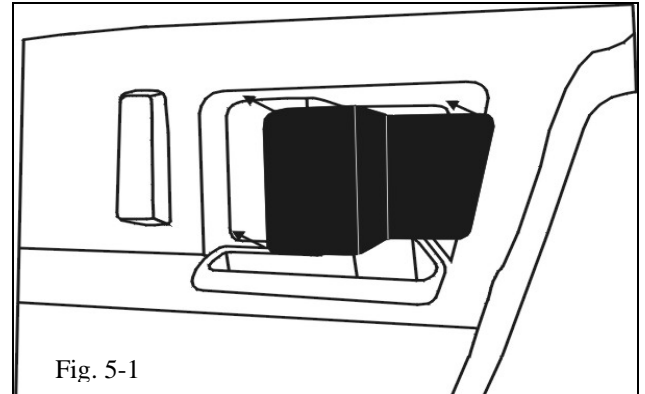
➡ (e) Verify even coverage.

➡ (f) Press firmly into place. Roll fingertips in a back and forth motion to set adhesive. Be sure to roll thumb along outside and inside edges while applying pressure.

- ⚠ (g) Edge of appliqué should be flush to edge of factory component, +/- 1.0mm.

6. Clean Up

➡ (a) Using method in Step 1(a), wipe down all molded surfaces to remove fingerprints, etc.



Check:

Look For:

Vehicle Function Checks

Check the following function buttons:

- Back window defogger switch
- Emergency flasher switch
- Air conditioning controls

Dash Applique should not interfere with any button function.

Accessory Function Checks

- Dash Applique - Adhesive

Dash Applique should be securely attached to panels.