

Part Number: 00012-X0546-10

Kit Contents

Item #	Quantity Reqd.	Description
1	1	HVAC Center Vent Trim
2	1	Radio Cover Assy (2 pieces)
3	1	HVAC Control Panel (3 pieces)
4	1	Shift Surround
5	1	Driver Door Pull
6	1	Passenger Door Pull

Hardware Bag Contents

Item #	Quantity Reqd.	Description
1	None	
2		
3		

Additional Items Required For Installation

Item #	Quantity Reqd.	Description
1	None	
2		
3		

Conflicts

--

Recommended Tools

Personal & Vehicle Protection	Notes
Hand Protection	Latex Gloves (not mandatory)
Vehicle Protection	Seat / Floor Covers
Special Tools	Notes
Non Intrusive IR Temperature Probe / Gun	
Installation Tools	Notes
Heat Source	
Lint-Free Scratch Resistant Cloth	WypAll Disposable Cloth (recommended)
Special Chemicals	Notes
Cleaner	3M™ PrepSolvent-70

General Applicability

--

NOTE: Part number of this accessory may not be the same as the part number shown.

Recommended Sequence of Application

Item #	Accessory
1	
2	
3	

*Mandatory

Vehicle Service Parts (may be required for reassembly)

Item #	Quantity Reqd.	Description
1		
2		
3		

Legend



STOP: Damage to the vehicle may occur. Do not proceed until process has been complied with.



OPERATOR SAFETY: Use caution to avoid risk of injury.



CAUTION: A process that must be carefully observed in order to reduce the risk of damage to the accessory/vehicle and to ensure a quality installation.



TOOLS & EQUIPMENT: Used in Figures calls out the specific tools and equipment recommended for this process.



REVISION MARK: This mark highlights a change in installation with respect to previous issue.

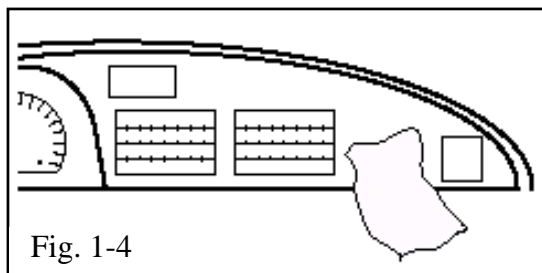
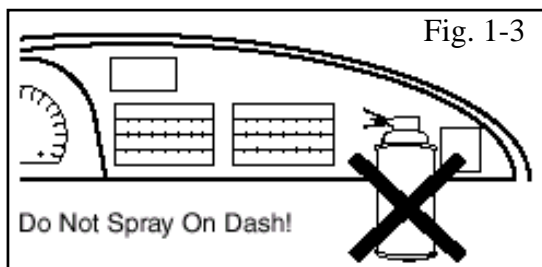
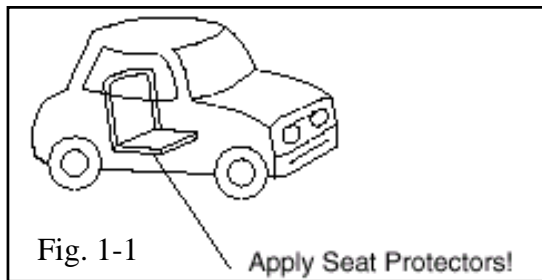
Care must be taken when installing this accessory to ensure damage does not occur to the vehicle. The installation of this accessory should follow approved guidelines to ensure a quality installation.

These guidelines can be found in the "Accessory Installation Practices" document.

This document covers such items as:-

- Vehicle Protection (use of covers and blankets, cleaning chemicals, etc.).
- Safety (eye protection, rechecking torque procedure, etc.).
- Vehicle Disassembly/Reassembly (panel removal, part storage, etc.).
- Electrical Component Disassembly/Reassembly (battery disconnection, connector removal, etc.).

Please see your Toyota dealer for a copy of this document.



1. Pre-installation Precautions.



(a) Use Seat and Floor Protectors to avoid damage to surfaces. (Fig. 1-1)



(b) Wear protective latex gloves while cleaning factory panels.

NOTE: The use of protective latex gloves during cleaning is mentioned as a precaution to those installers who may be sensitive to the chemicals being used in this process. The use of protective gloves is not mandatory.

(c) When cleaning with 3M™ Prep Solvent-70:

(1) Always use a clean (lint free, scratch resistant) soft cloth (or wipe), and clean a small area at a time (~ 3 ft. x 3 ft. max.). (Fig 1-2)

(2) **Shake Well.**

(3) Apply 3M™ Prep Solvent-70 to cloth or wipe. Do not spray cleaning solutions directly onto vehicle surfaces. (Fig. 1-3)

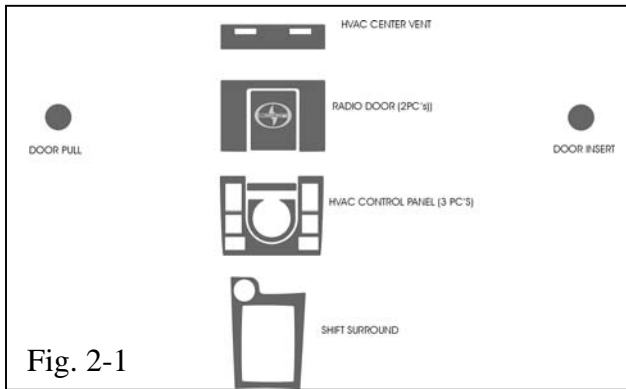
(4) Clean surface thoroughly and wipe dry immediately with a new clean cloth. Do not allow cleaner to air dry. (Fig. 1-4)

(d) Dash appliqué must be between 70°F and 110°F (just prior to actual installation).

(e) Vehicle dash surfaces must be between 70°F and 110°F (just prior to actual installation).



- (f) Use pull-tabs to remove 3M™ liners. (Fig. 1-5)
 - (1) Do not touch or allow debris or contaminants to come into contact with the adhesive backing before installation.



2. Inspection of Parts

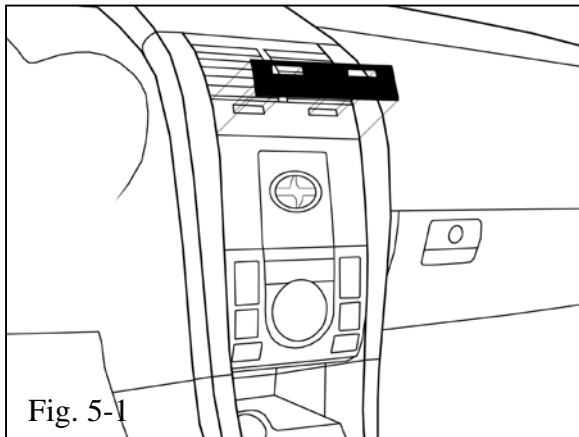
- (a) Inspect parts prior to installation to avoid unnecessary removal (Fig. 2-1).

3. Dry Fit Parts

- (a) Check placement and alignment of each part.

4. Clean Factory Surfaces.

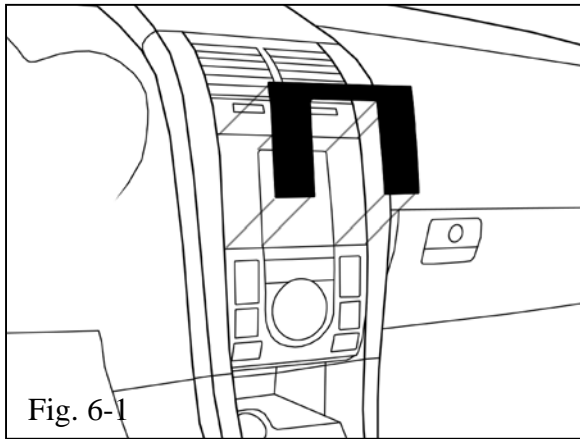
- (a) Thoroughly clean (using method in Step 1.3.) all applicable surfaces highlighted in Fig. 2-1.



5. Install HVAC Center Vent Trim.

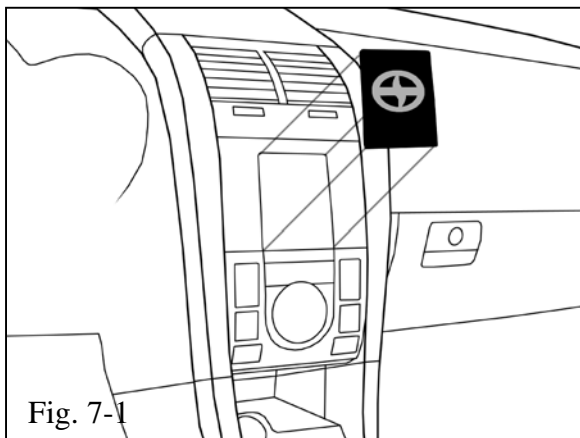
- (a) Follow steps to warm components as required.
- (b) Remove adhesive liners from part. Be sure not to touch adhesive backing prior to installation.
- (c) Position and secure part.
 - (1) Align cutouts around vent control wheels.
 - (2) Align part uniformly to edge of factory component. Edge of appliqué should be flush to edge of factory component, ±1.0mm. (Fig. 5-1)
 - (3) Gently touch part into position.
- (d) Verify alignment and function of vent control wheels.
- (e) Press firmly into place. Roll fingertips in a back and forth motion to set adhesive. Be

sure to roll thumb along outside and inside edges while applying pressure.



6. Install Radio Door Surround Trim.

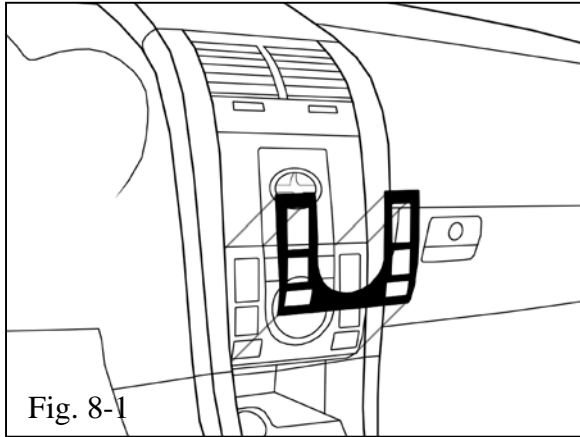
- (a) Follow steps to warm components as required.
- (b) Remove adhesive liners from part. Be sure not to touch adhesive backing prior to installation.
- (c) Position and secure part.
 - (1) Align part uniformly to edge of factory component. Edge of appliqué should be flush to edge of factory component, $\pm 1.0\text{mm}$. (Fig. 6-1)
 - (2) Gently touch part into position.
- (d) Verify alignment.
- (e) Press firmly into place. Roll fingertips in a back and forth motion to set adhesive. Be sure to roll thumb along outside and inside edges while applying pressure.



7. Install Radio Door Trim.

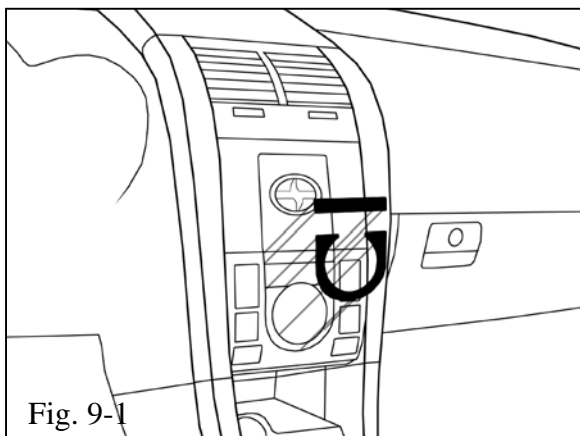
- (a) Follow steps to warm components as required.
- (b) Remove adhesive liners from part. Be sure not to touch adhesive backing prior to installation.
- (c) Position and secure part.
 - (1) Align part uniformly to edge of factory component. Edge of appliqué should be flush to edge of factory component, $\pm 1.0\text{mm}$. (Fig. 7-1)
 - (2) Gently touch part into position.
- (d) Verify alignment.

- (e) Press firmly into place. Roll fingertips in a back and forth motion to set adhesive. Be sure to roll thumb along outside and inside edges while applying pressure.



8. Install HVAC Control Panel Outer Trim.

- (a) Follow steps to warm components as required.
- (b) Remove adhesive liners from part. Be sure not to touch adhesive backing prior to installation.
- (c) Position and secure part.
 - (1) Align cutouts around buttons and dials.
 - (2) Align part uniformly to edge of factory component. Edge of appliqué should be flush to edge of factory component, $\pm 1.0\text{mm}$. (Fig. 8-1)
 - (3) Gently touch part into position.
- (d) Verify alignment and function of buttons and dial.
- (e) Press firmly into place. Roll fingertips in a back and forth motion to set adhesive. Be sure to roll thumb along outside and inside edges while applying pressure.



9. Install HVAC Control Panel Inner Trim.

- (a) Follow steps to warm components as required.
- (b) Remove adhesive liners from part. Be sure not to touch adhesive backing prior to installation.
- (c) Position and secure part.
 - (1) Align part uniformly to edge of factory component. Edge of appliqué should be

flush to edge of factory component,
 $\pm 1.0\text{mm}$. (Fig. 9-1)

(2) Gently touch part into position.

(d) Verify alignment and function of dial.

(e) Press firmly into place. Roll fingertips in a back and forth motion to set adhesive. Be sure to roll thumb along outside and inside edges while applying pressure.

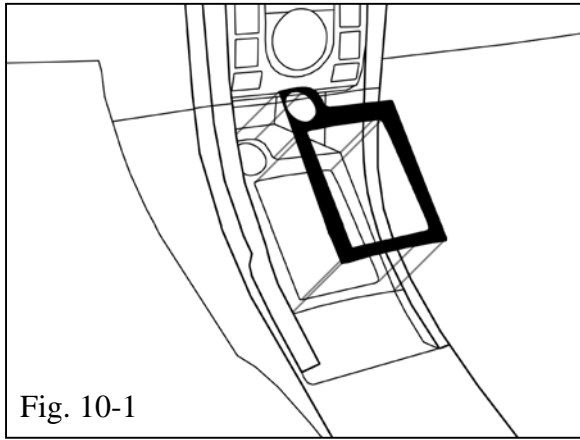


Fig. 10-1

10. Install Shift Surround Trim.

(a) Follow steps to warm components as required.

(b) Remove adhesive liners from part. Be sure not to touch adhesive backing prior to installation.

(c) Position and secure part.

(1) Align part uniformly to edge of factory component. Edge of appliqué should be flush to edge of factory component, $\pm 1.0\text{mm}$. (Fig. 10-1)

(2) Gently touch part into position.

(d) Verify alignment.

(e) Press firmly into place. Roll fingertips in a back and forth motion to set adhesive. Be sure to roll thumb along outside and inside edges while applying pressure.

11. Install Door Pull Trim (Driver / Passenger).

(a) Follow steps to warm components as required.

(b) Remove adhesive liners from part. Be sure not to touch adhesive backing prior to installation.

(c) Position and secure part.

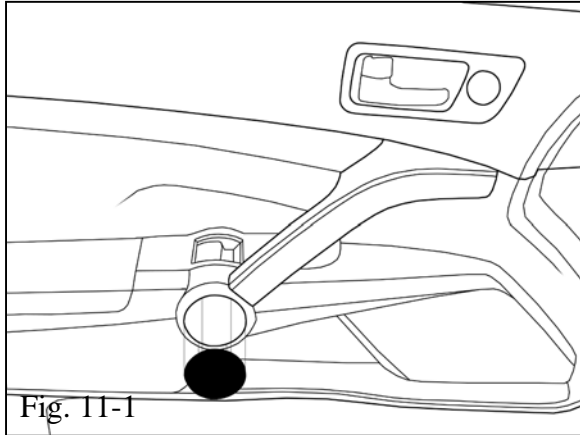


Fig. 11-1

- (1) Align part uniformly to edge of factory component. Edge of appliqué should be flush to edge of factory component, $\pm 1.0\text{mm}$. (Fig. 11-1)
- (2) Gently touch part into position.
- (d) Verify alignment.
- (e) Press firmly into place. Roll fingertips in a back and forth motion to set adhesive. Be sure to roll thumb along outside and inside edges while applying pressure.

Checklist - these points **MUST** be checked to ensure a quality installation.

Check:

Look For:

Accessory Function Checks

Vent control wheels.

Full movement, open and closed.

(no binding)

Radio cover clearance.

Radio cover should open completely.

(no sticking)

Climate control buttons.

All buttons should function properly.

(no sticking)

Climate control dial.

Full rotation.

Vehicle Function Checks

None