

**Part Number:**

- 00012-T0746-01 Double Cab** (Bucket Seat)
- 00012-T0746-02 Double Cab** (Bench Seat)
- 00012-T0746-03 Crew Max** (Bucket Seat) / **Sequoia 4WD**
- 00012-T0746-04 Crew Max** (Bench Seat)
- 00012-C0846-01 Sequoia 2WD**

**Base Kit Contents**

Item #	Quantity Req'd.	Description
1	1	Main IP (Tundra & Sequoia 4WD)
2	1	Main IP (Sequoia 2WD)
3	1	Bucket Seat Center Console (Applicable to 00012-T0746-01 / 03 & 00012-C0846-01)
4	1	Bench Seat Center Console (Applicable to 00012-T0746-02 / 04)
5	1	Storage Door Trim (Applicable to 00012-T0746-02 / 04)
6	1	Drivers Front Door Trim
7	1	Pass Front Door Trim
8	1	Driver's Rear Door Trim (Applicable to Double Cab / Crew Max / Sequoia Kits)
9	1	Passenger Rear Door Trim (Applicable to Double Cab / Crew Max / Sequoia Kits)

**Conflicts**

--

**Recommended Tools**

<b>Safety Tools</b>	
<b>Special Tools</b>	
Non Intrusive IR Temperature Probe/Gun	
<b>Installation Tools</b>	
Heat Source	
Lint-Free Scratch Resistant Cloth	3M Disposable Cloth (Recommended)
Mist Bottle (Water)	(Recommended)
<b>Special Chemicals</b>	
Cleaner	Soap & Water
Bottled Distilled Water	

**Color Applicability/Trim Level**








**General Applicability**

2007 Tundra Double Cab / Crew Max  
2008 Sequoia 2WD / 4WD

**Service Parts**

Item #	Qty	Description
00012-T0746-21	1	Main IP (Tundra & Sequoia 4WD)
00012-C0846-21	1	Main IP (Sequoia 2WD)
00012-T0746-26	1	Center Console (Bucket Seat)
00012-T0746-27	1	Center Console (Bench Seat)
00012-T0746-28	1	Storage Door Trim (Bench Seat)
00012-T0746-22	1	Driver Front Door Trim (Double Cab, CrewMax / Sequoia)
00012-T0746-23	1	Pass Front Door Trim (Double Cab / CrewMax / Sequoia)
00012-T0746-24	1	Driver Rear Door (Double Cab Only)
00012-T0746-25	1	Pass Rear Door Trim (Double Cab Only)
00012-T0746-29	1	Driver Rear Door Trim (CrewMax / Sequoia Only)
00012-T0746-30	1	Passenger Rear Door Trim (CrewMax / Sequoia Only)

**Legend**

	<b>STOP:</b> Damage to the vehicle may occur. Do not proceed until process has been complied with.
	<b>OPERATOR SAFETY:</b> Use caution to avoid risk of injury.
	<b>CAUTION:</b> A process that must be carefully observed in order to reduce the risk of damage to the accessory/vehicle and to ensure a quality installation.
	<b>TOOLS &amp; EQUIPMENT:</b> Used in Figures calls out the specific tools and equipment recommended for this process.
	<b>REVISION MARK:</b> This mark highlights a change in installation with respect to previous issue.

### 1. Installation Precautions

➔ (a) Thoroughly clean all installation surfaces. When cleaning with Soap and followed with clean water solution:

STOP (1) Always use a clean 3M lint free cloth.

(2) Shake solution well.

STOP (3) Apply clean water to cloth or wipe. Do not spray cleaning solutions directly to any vehicle surfaces. (Fig. 1-1)

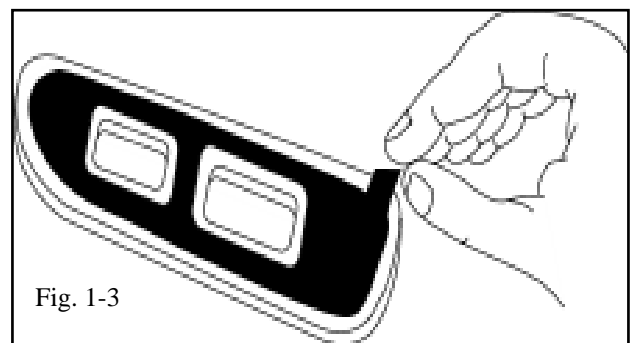
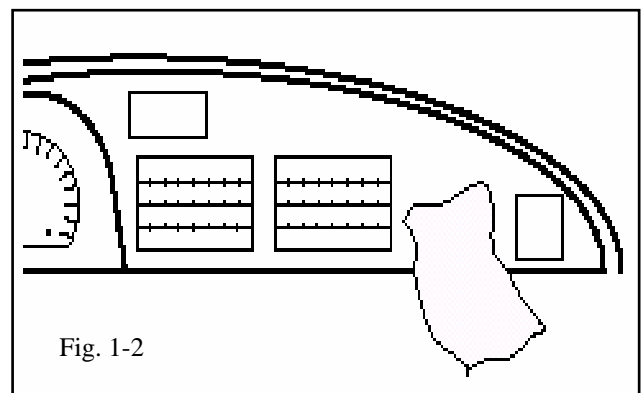
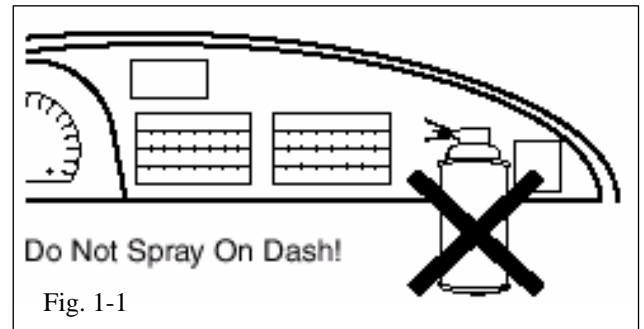
➔ (4) Clean surface thoroughly and wipe dry immediately with a new clean cloth. Do not allow cleaner to air dry. (Fig. 1-2)

➔ (b) Dash Appliqué must be between 70°F and 110°F (just prior to actual installation.)

➔ (c) Vehicle dash surfaces must be between 70°F and 110°F (just prior to actual installation.)

(d) Use pull-tabs to remove 3M liners. (Fig. 1-3)

➔ (1) Do not touch or allow debris or contaminants to come into contact with the adhesive backing before installation.



## 2. Inspection of Parts

- (a) Inspect parts prior to installation

## 3. Main I/P (Speedometer Surround) Panel

- ➔ (a) Warm up vehicle surfaces (as required).

- (1) Use heat gun, infrared lamps, shop heat or vehicle heating system to heat surfaces to a temperature of at least 70°F. Keep heat gun at lowest setting, 6" from surfaces.

- (b) Remove adhesive liners from part. Be sure not to touch adhesive backing prior to installation.

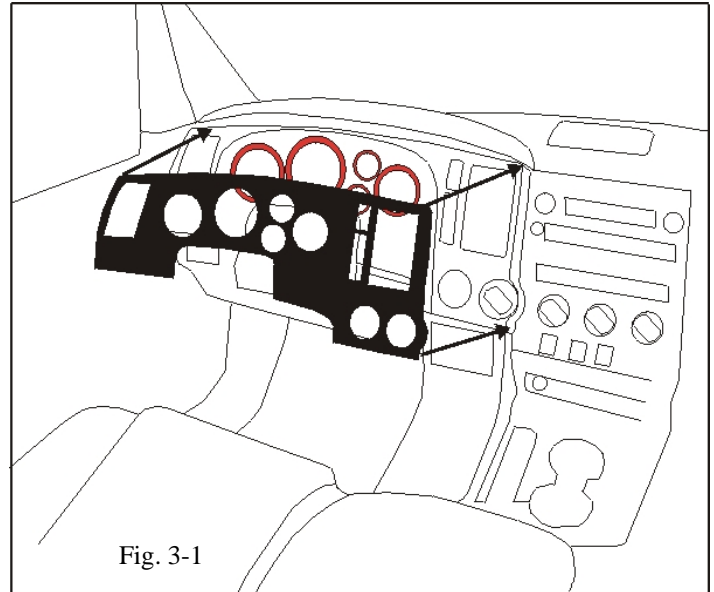
- ⚠ (c) Lightly mist the adhesive on the back of the part with water (1 – 2 squirts max). This allows slight corrective movement after initial placement if necessary.

- (d) Position and secure part.

- ⚠ (1) Align part uniformly to edge of factory component. Insert the console trim through the speedo holes, highlighted in red. Continue from the center of the IP, in an outward direction, adhering the rest of the IP applique. Use care when aligning the buttons and outer edge for proper alignment. (Fig. 3-1)

- (2) Gently touch part into position.

- ⚠ (e) Verify function of all buttons.



(f) Press firmly into place. Use fingertips and the palm of your hand to set adhesive.

⚠ (g) Edge of appliqué should be flush to edge of factory component, +/- 2.0mm.

#### 4. Install Center Console.

➡ (a) Follow steps to warm components as required.

(b) Remove adhesive liners from part. Be sure not to touch adhesive backing prior to installation.

⚠ (c) Lightly mist the adhesive on the back of the part with water (1 – 2 squirts max). This allows slight corrective movement after initial placement if necessary.

(d) Position and secure part .

➡ (e) **Bucket Seat Center Console**

**NOTE:** Applicable to Part Numbers 00012-T0746-01 / 00012-T0746-03 / 00012-C0846-01

⚠ (1) Remove the black center console (area including the cupholder) by lifting from the upper black area. Set aside until center console dash applique is secured.

⚠ (2) Depress brake pedal and move shift position into “neutral,” to position center console dash applique

(3) Align part uniformly to the edge of factory door component aligning all switch openings. (Fig. 4-1)

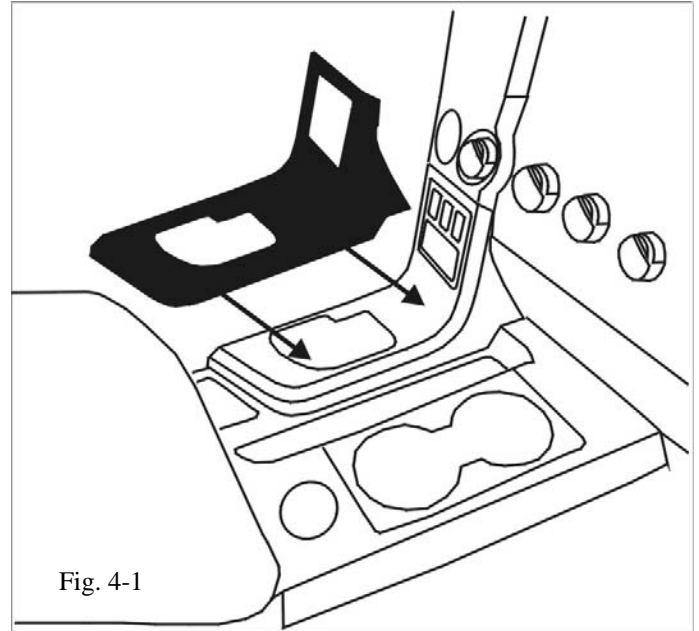




Fig. 4-1

 (4) Slide the right side of the part into the groove between the factory core and the dash.

(5) Gently touch part into position.

 (6) Reinsert the black center console, snap into place.

(7) Move shift position back to "Park"


 (f) **Bench Seat Center Console w/ Storage Lid**


**NOTE:** Applicable to Part Numbers 00012-T0746-02 & 00012-T0746-04

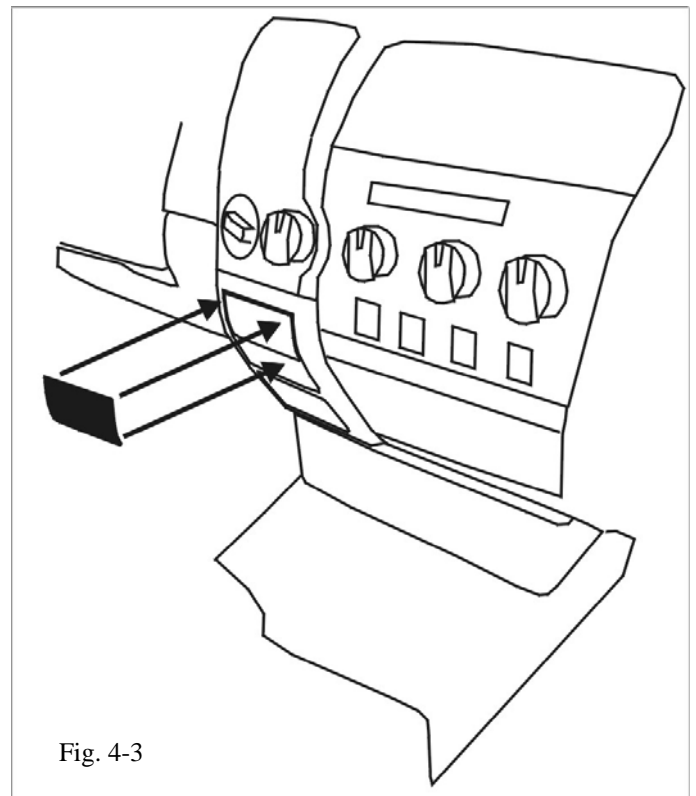
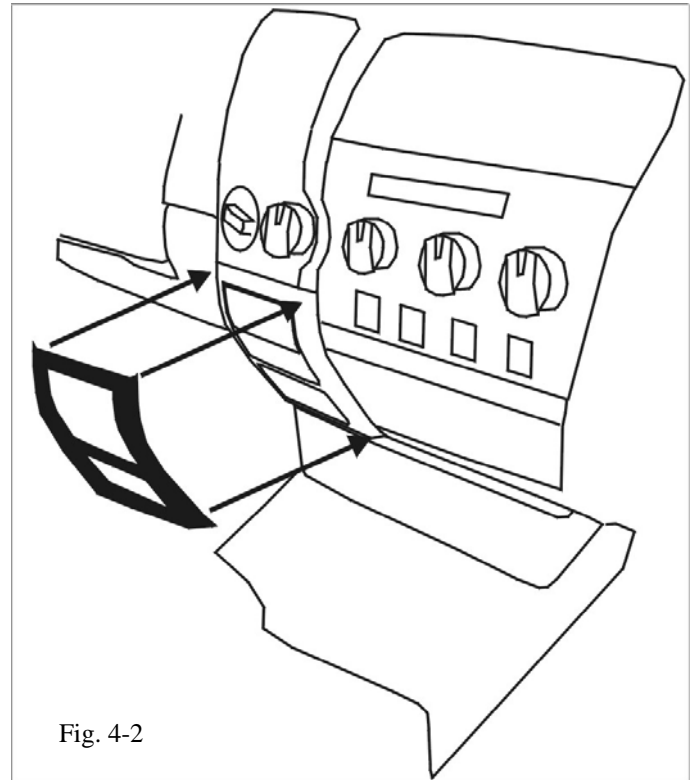
(1) Console: Align part uniformly to edge of factory components aligning all switch openings. (Fig. 4-2)

(2) Storage Lid: Align part uniformly to edge of factory storage compartment. (Fig. 4-3)

(g) Verify even coverage.

 (h) Press firmly into place. Roll fingertips in a back and forth motion to set adhesive. Be sure to roll thumb along outside and inside edges while applying pressure.

 (i) Edge of appliqué should be flush to edge of factory component, +/- 2.0mm.



Checklist - these points **MUST** be checked to ensure a quality installation.

### 5. Install Driver & Passenger Front & Rear Doors. For Rear Door D-cab and Crew Max only

- ➔ (a) Follow steps to warm components as required.
- (b) Remove adhesive liners from appliqué.
- ⚠ (c) Lightly mist the adhesive on the back of the part with water (1 – 2 squirts max). This allows slight corrective movement after initial placement if necessary.
- ➔ (d) Position and secure appliqué.
  - (1) Gently touch part into position.
  - ➔ (2) Align part uniformly to the edges of the factory door component alinging all switch openings.  
(Fig. 5-1)
- (e) Verify even coverage.
- ➔ (f) Press firmly into place. Roll fingertips in a back and forth motion to set adhesive. Be sure to roll thumb along outside and inside edges while applying pressure.
- ⚠ (g) Edge of appliqué should be flush to edge of factory component, +/- 2.0mm.
- (h) Repeat Installation on all Doors.

### 6. Clean Up

- ➔ (a) Using method in Step 1(a), wipe down all molded surfaces to remove fingerprints, etc.

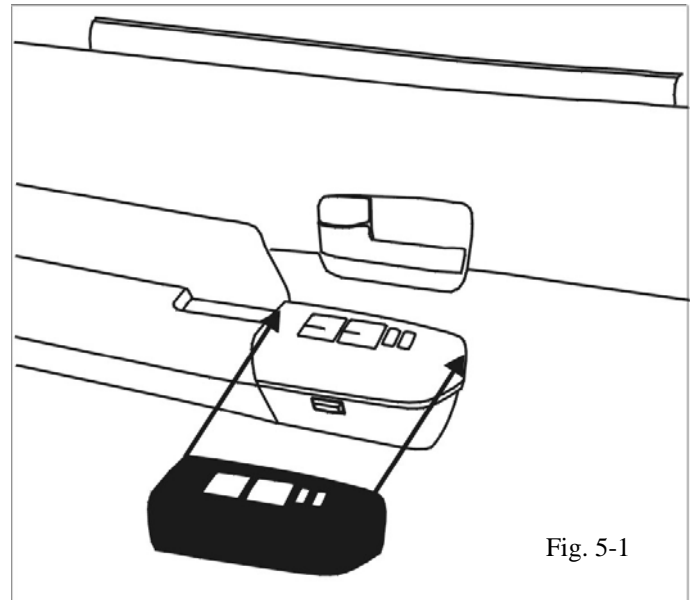


Fig. 5-1

Checklist - these points **MUST** be checked to ensure a quality installation.

### Vehicle Function Checks

Check the following function buttons:

- Emergency flasher switch
- Accessory meter control switches
  - Info button
  - Select Reset button
  - Set up US/M Button
- Tow/Haul switch
- Front drive control switch knob (four wheel drive models)
- Cigarette lighter
- Power outlet
- "VSC Off" switch
- Power outlet main switch (with rear seat entertainment system)
- Intuitive parking assist switch
- Power rearview mirror control switch
- Interior light/personal light main switch
- Instrument panel light control dial
- Power door lock switches
- Power window switches
- Vents

### Accessory Function Checks

- Dash Appliqué – Adhesive

Dash Appliqué should not interfere with any button function.

Appliqué should not interfere with movement of vents

Dash Appliqué should be securely attached to panels.