

1. Installation Precautions

➔ (a) Thoroughly clean all installation surfaces. When cleaning with Soap and followed with clean water solution:

STOP (1) Always use a clean 3M lint free cloth.

(2) Shake solution well.

STOP (3) Apply clean water to cloth or wipe. Do not spray cleaning solutions directly to any vehicle surfaces. (Fig. 1-1)

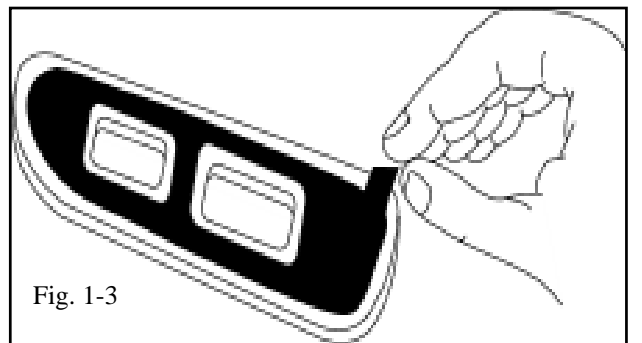
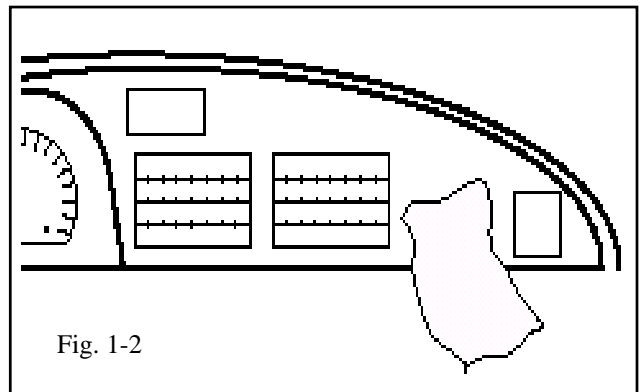
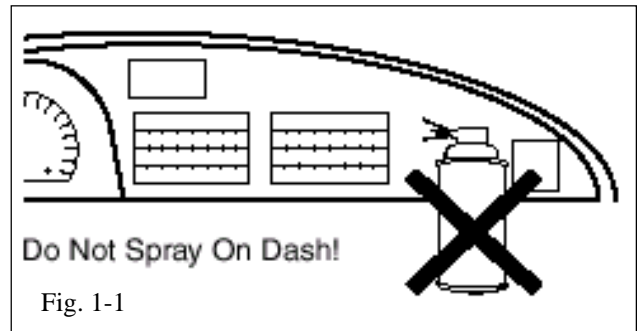
➔ (4) Clean surface thoroughly and wipe dry immediately with a new clean cloth. Do not allow cleaner to air dry. (Fig. 1-2)

➔ (b) Dash Appliqué must be between 70°F and 110°F (just prior to actual installation.)

➔ (c) Vehicle dash surfaces must be between 70°F and 110°F (just prior to actual installation.)

(d) Use pull-tabs to remove 3M liners. (Fig. 1-3)

➔ (1) Do not touch or allow debris or contaminants to come into contact with the adhesive backing before installation.



2. Inspection of Parts

- (a) Inspect parts prior to installation

3. Main I/P (Speedometer Surround) Panel

- ➔ (a) Warm up vehicle surfaces (as required).

- (1) Use heat gun, infrared lamps, shop heat or vehicle heating system to heat surfaces to a temperature of at least 70°F. Keep heat gun at lowest setting, 6" from surfaces.

- (b) Remove adhesive liners from part. Be sure not to touch adhesive backing prior to installation.

- (c) Position and secure part.

- ⚠ (1) Align part uniformly to edge of factory component. Insert the speed gauges, highlighted in red, through the applique followed by pressing the right edge of the IP appliqué into the groove between the factory core and the applique trim edge. (Fig. 3-1)

- (2) Gently touch part into position.

- ⚠ (d) Verify function of all buttons.

- (e) Press firmly into place. Use fingertips and the palm of your hand to set adhesive.

- ⚠ (f) Edge of appliqué should be flush to edge of factory component, +/- 2.0mm.

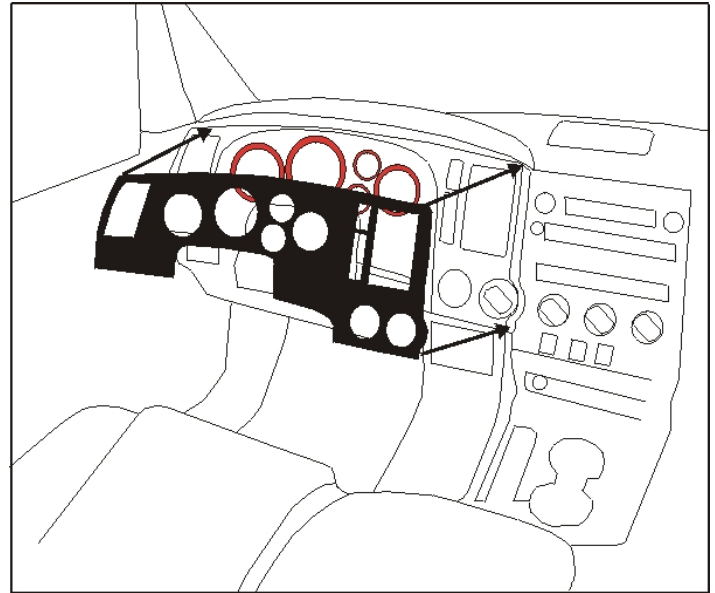


Fig. 3-1

4. Install Center Console.

- ➔ (a) Follow steps to warm components as required
- (b) Remove adhesive liners from part. Be sure not to touch adhesive backing prior to installation.
- (c) Position and secure part .

➔ (d) Bucket Seat Center Console

Note: Applicable to Part Numbers PTS10-34071 / PTS10-34072 / PTS10-34070

- ⚠ (1) Remove the black center console (area including cupholder) by lifting from the upper back area. Set aside until center console dash applique is secured.

(2) Align part uniformly to the edge of factory door component aligning all switch openings. (Fig. 4-1)

(3) Slide the right side of the part into the groove between the factory core and the dash.

(4) Gently touch part into position.

- ⚠ (5) Reinsert the black center console, snap into place.

➔ (e) Bench Seat Center Console w/ Storage Lid

Note: Applicable to Part Numbers PTS10-34071 / PTS10-34072 / PTS10-34070

(1) Console: Align part uniformly to edge of factory components aligning all switch openings. (Fig. 4-2)

(2) Storage Lid: Align part uniformly to edge of factory storage compartment. (Fig. 4-3)

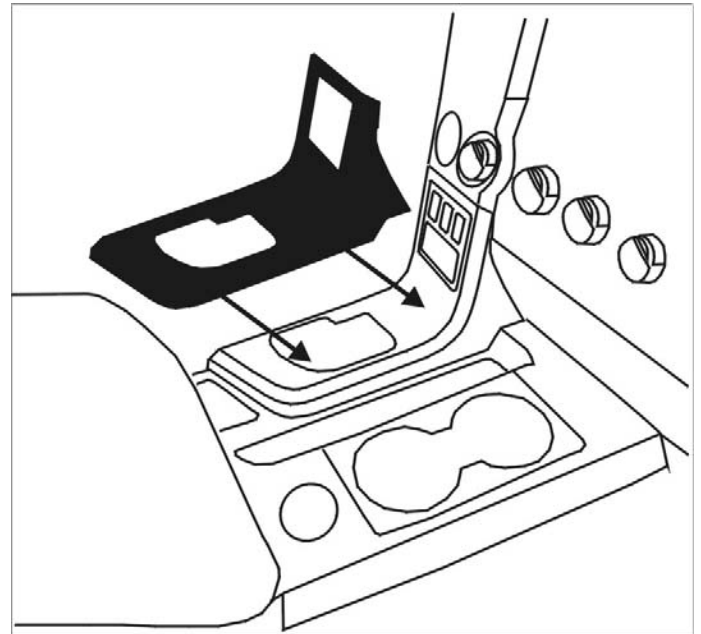


Fig. 4-1

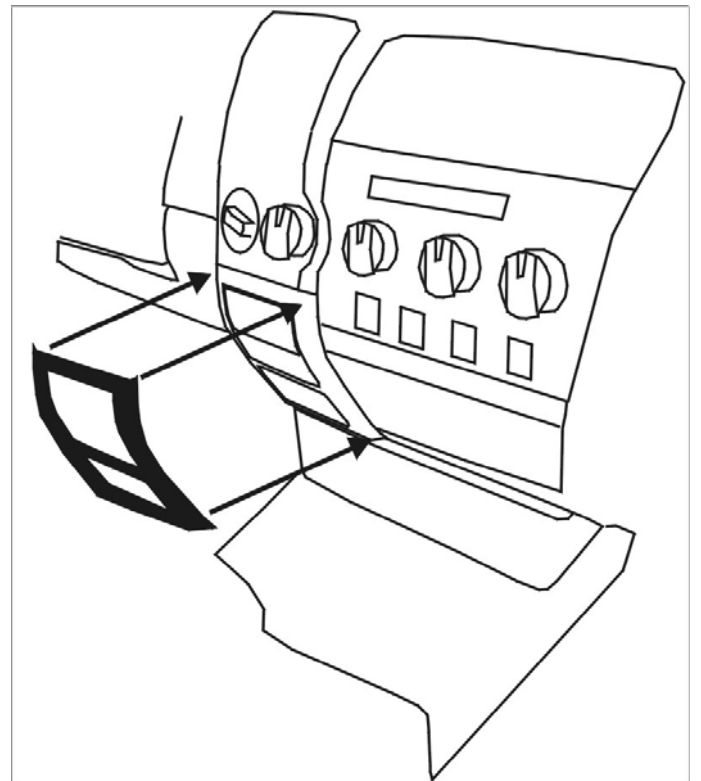


Fig. 4-2

(f) Verify even coverage.

➡ (g) Press firmly into place. Roll fingertips in a back and forth motion to set adhesive. Be sure to roll thumb along outside and inside edges while applying pressure.

⚠ (h) Edge of appliqué should be flush to edge of factory component, +/- 2.0mm.

5. Install Driver & Passenger Front & Rear Doors.

➡ (a) Follow steps to warm components as required.

(b) Remove adhesive liners from appliqué.

➡ (c) Position and secure appliqué.

(1) Gently touch part into position.

➡ (2) Align part uniformly to the edges of the factory door component aligning all switch openings.
(Fig. 5-1)

(d) Verify even coverage.

➡ (e) Press firmly into place. Roll fingertips in a back and forth motion to set adhesive. Be sure to roll thumb along outside and inside edges while applying pressure.

⚠ (f) Edge of appliqué should be flush to edge of factory component, +/- 2.0mm.

(g) Repeat Installation on all Doors.

6. Clean Up

➡ (a) Using method in Step 1(a), wipe down all molded surfaces to remove fingerprints, etc.

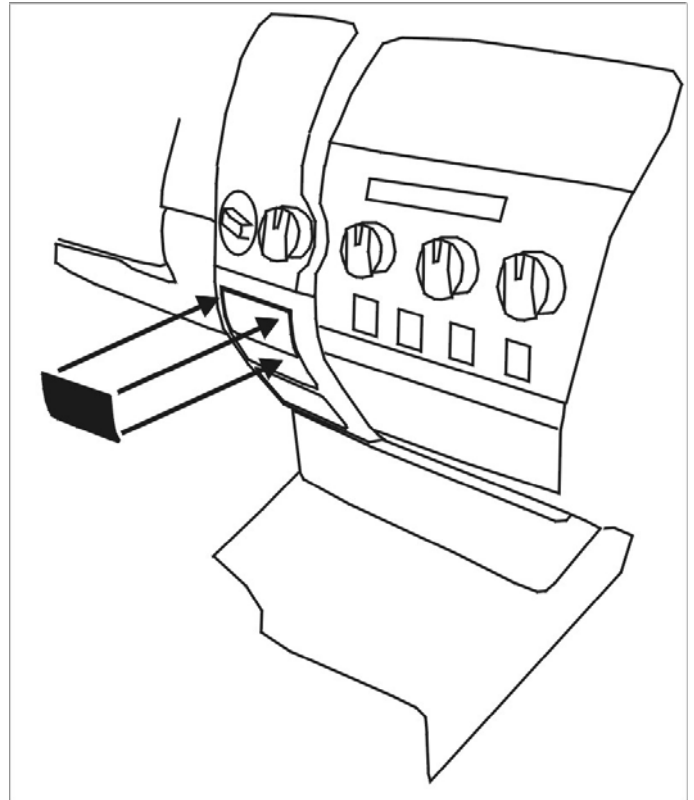


Fig. 4-3

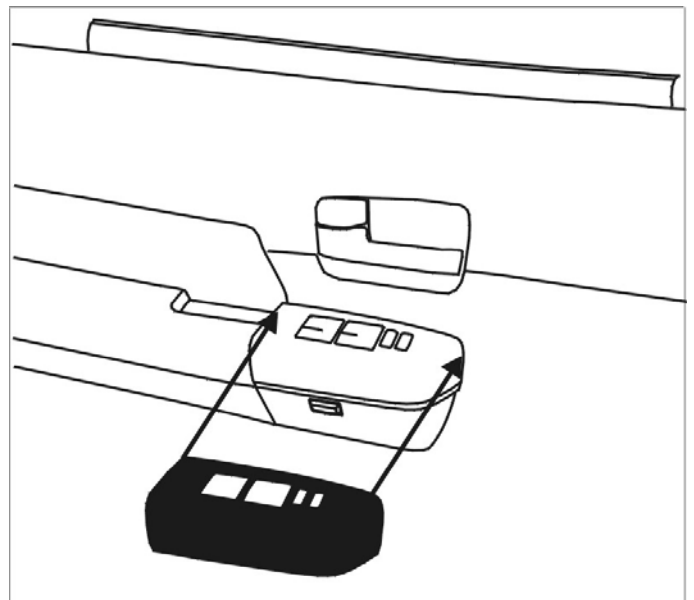


Fig. 5-1

Checklist - these points **MUST** be checked to ensure a quality installation.

Check:

Look For:

Vehicle Function Checks

Check the following function buttons:

- Emergency flasher switch
- Info Button
- Select Button
- Set Up US/M Button (If Applicable)
- Sonar Button (If Applicable)
- Dome Light Switch

Dash Appliqué should not interfere with any button function.

Dash Appliqué should be securely attached to panels.

Accessory Function Checks

- Dash Appliqué - Adhesive